



DT05

Track dumper

The space saver

It really comes into its own in conditions where space is tight and maneuverability is a must. Its very compact dimensions allow driving through a normal 80cm-wide door with no problem. Easy processing and intuitive functions ensures low service and operating costs. The powerful drive system reliably takes the machine where it needs to go, even with a full skip and operator.

Highlights

- Hydrostatic drive
- Small dimensions
- Diesel or gasoline engine

Technical Data

Hydraulic

hydraulikpump	ZRP
Flow rate max.	30.0 l/min

Mechanical - Output Details

Gradeability	36.0 %
Travel speed	3.9 km/h

Mechanical Details

Length	1,630.0 mm
Width	660.0 mm
Height	1,185.0 mm
Weight	370.00 kg
Payload max.	500.0 kg

skip	Front tip skip
Skip capacity levelled	273.0 l
Skip capacity heaped	313.0 l
Operating weight (min.-max.)	495.0 - 620.0 kg

Engine

Engine type	Gasoline engine
Effective power	4.5 KW
Nominal Engine speed	3,600.0 1/min

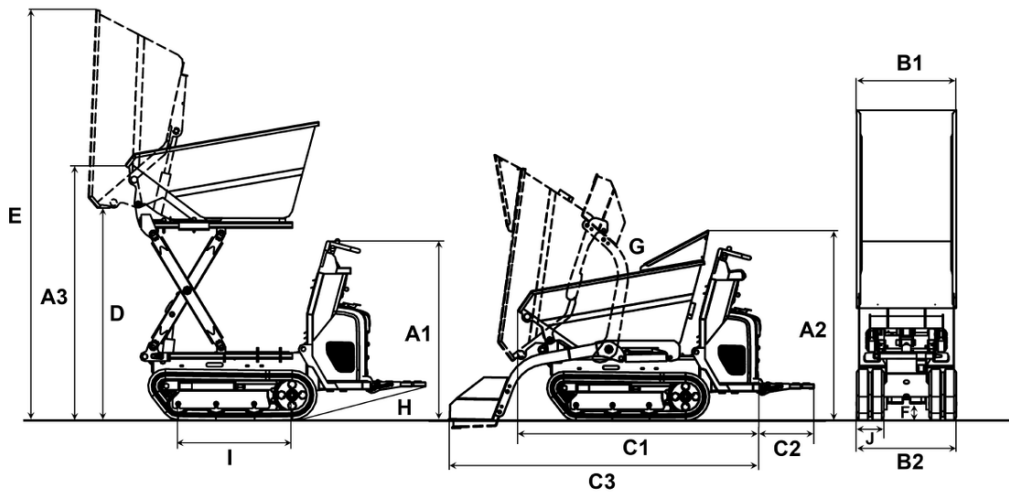
Environment Data

Sound power LWA, guaranteed	101.0 dB(A)
-----------------------------	-------------

Shipping and Storage

Shipping weight	420.0 kg
-----------------	----------

Dimensions



A1	Height above operator's stand	1,185 mm
A2	Height over skip hand guard	1,310 mm
A3	Height front edge of skip	760 mm
B1	Width of skip	660 mm
	Width of steering position	589 mm
B2	Width of undercarriage	660 °
	Width with self-loading equipment	700 mm
C1	Total length without footboard	1,670 mm
C2	Length footboard	365 mm
C3	Length with self-loading equipment, without footboard	2,149 mm
D	Dumping height max.	410 mm
E	Skip height tilted	1,827 mm
F	Ground clearance	110 mm
G	Dumping angle	72 °
H	Rollback angle footboard	15 °
I	Length chain stand	753 mm
J	Track width	180 mm